

# PARTS LIST

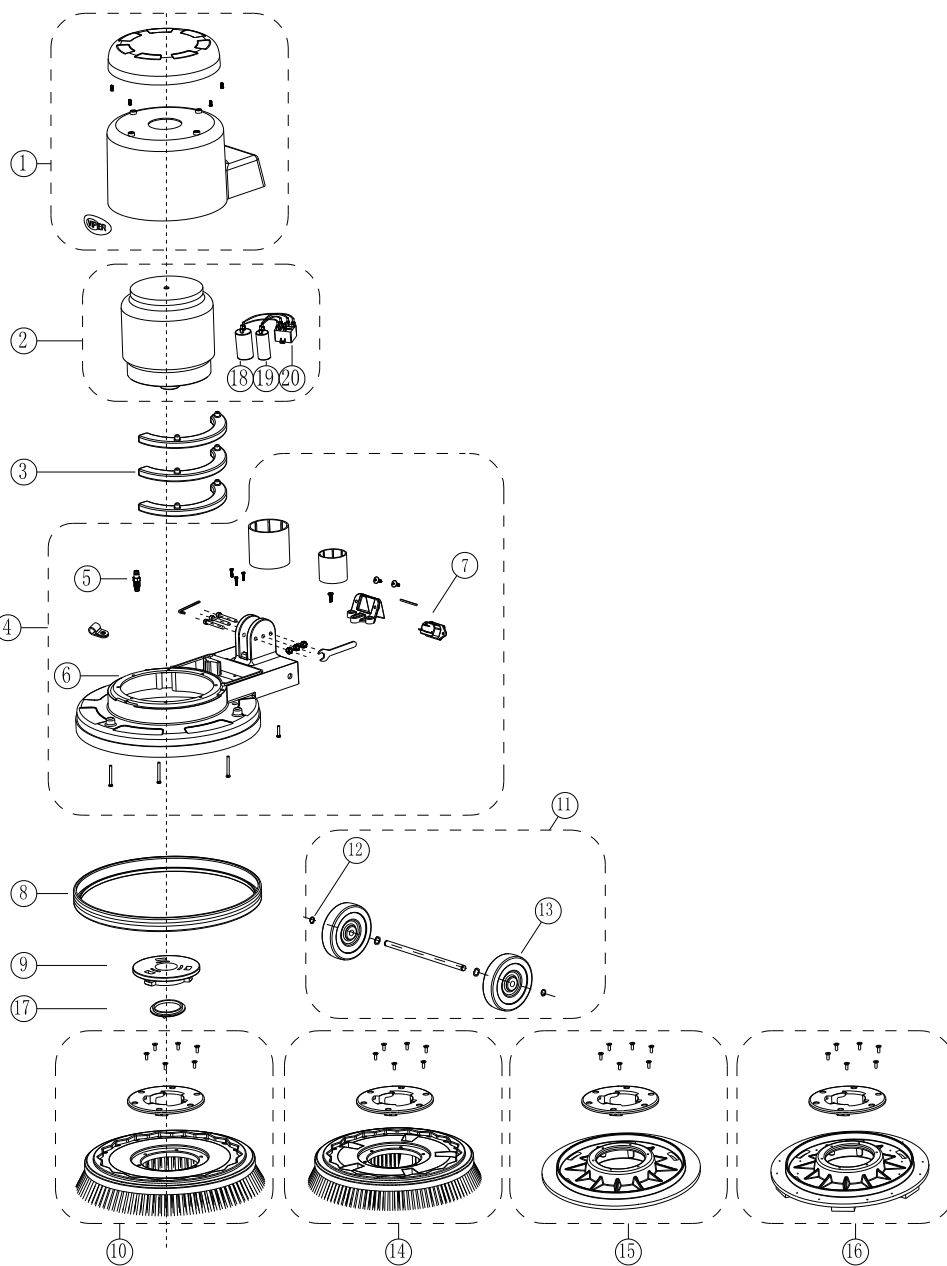


2020.10.23

# TABLE OF CONTENTS

---

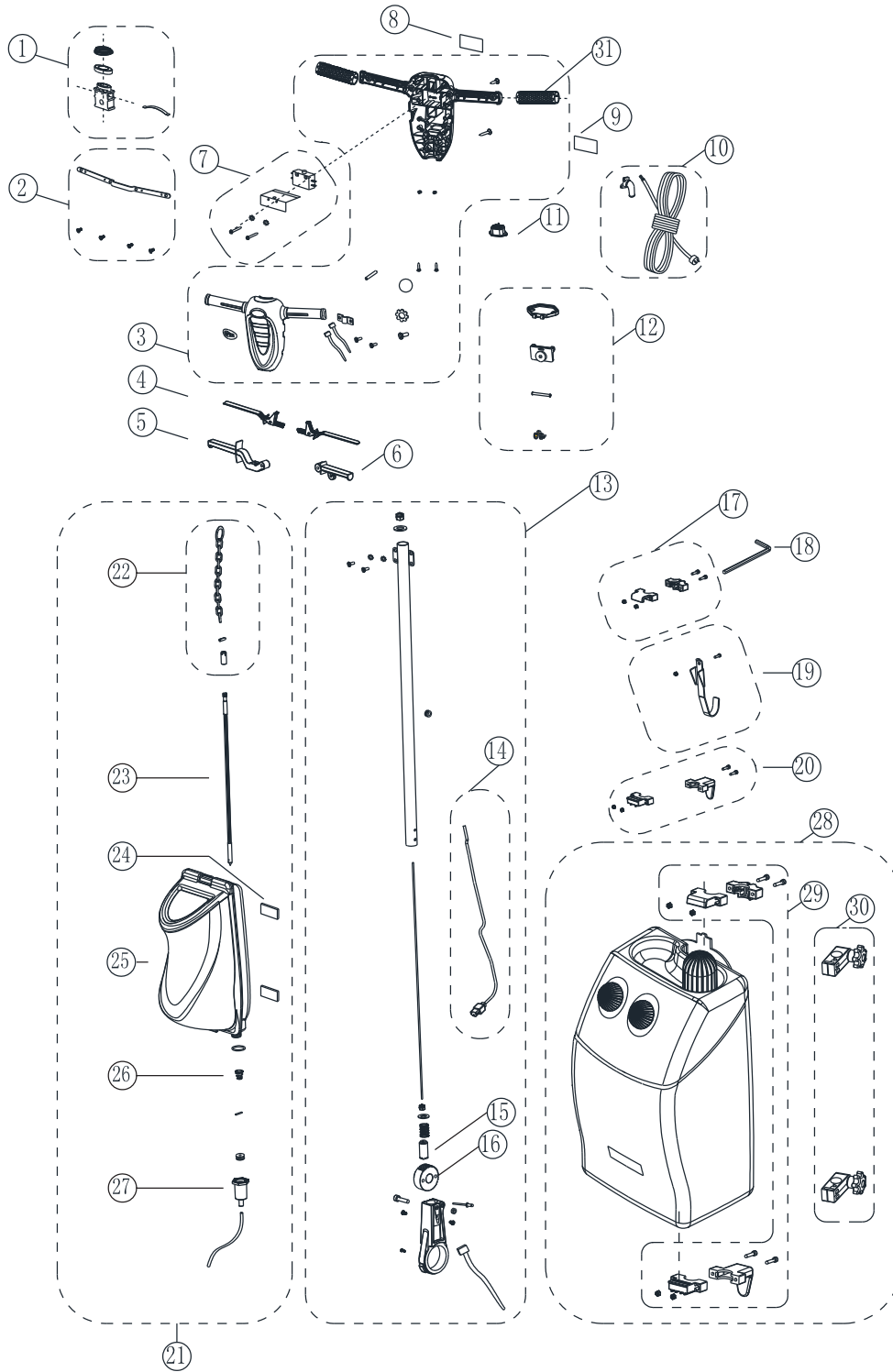
BASE ASSEMBLY .....	1
HANDLE ASSEMBLY .....	3
DUST COLLECTION .....	5
WIRING DIAGRAM / WEAR AND TEAR PART .....	7
DF100-A Foam Generator art no. 50000055 .....	9



Pos.	Artikel-Nr.	Menge	Variante	Notes
1	VF75431	1	MOTOR HOUSING KIT	[1]
1	VF75431R	1	MOTOR HOUSING KIT	[2]
2	VF75209	1	MOTOR 1300W	[1]
2	VF75212	1	MOTOR 1800W	[2]
3		1	WEIGHT, LS160	[1]
3	VF75215	3	Zusatzgewicht für LS 160 HD	[2]
4	VF75432	1	MAIN FRAME KIT	[1]
4	VF75433	1	MAIN FRAME KIT	[2]
5	VF75307	1	HOSE CONNECTING	
6	VF75201	1	BASE	[1]
6	VF75201N	1	BASE	[2]
7	VF75219	1	PLUG ASSEMBLY	
8	VF75202	1	Stoßring	
9	VF75206	1	CONNECTING PLATE	
10	VF75434	1	BRUSH KIT	
11	VF75435	1	TRANSPORT WHEEL KIT	
12	VF13520	2	Sprengring	
13	VF75214	2	WHEEL	
14	VF75420	1	CARPET BRUSH KIT	[3]
15	VF75421	1	PAD DRIVER	[3]
16	VF75249	1	16INCH DISC HOLDER FOR LS160HD	
17	VF75223	1	CAP	
18	VF75209-2	1	STARTING CAPACITOR LS160	[1]
18	VF75212-2	1	STARTING CAPACITOR LS160HD	[2]
19	VF75209-1	1	RUNNING CAPACITOR LS160	[1]
19	VF75212-1	1	RUNNING CAPACITOR LS160HD	[2]
20	VF89041-3	1	RELAY FLA 16A 277V 50HZ/RES 35A 277V	

Part Notes:

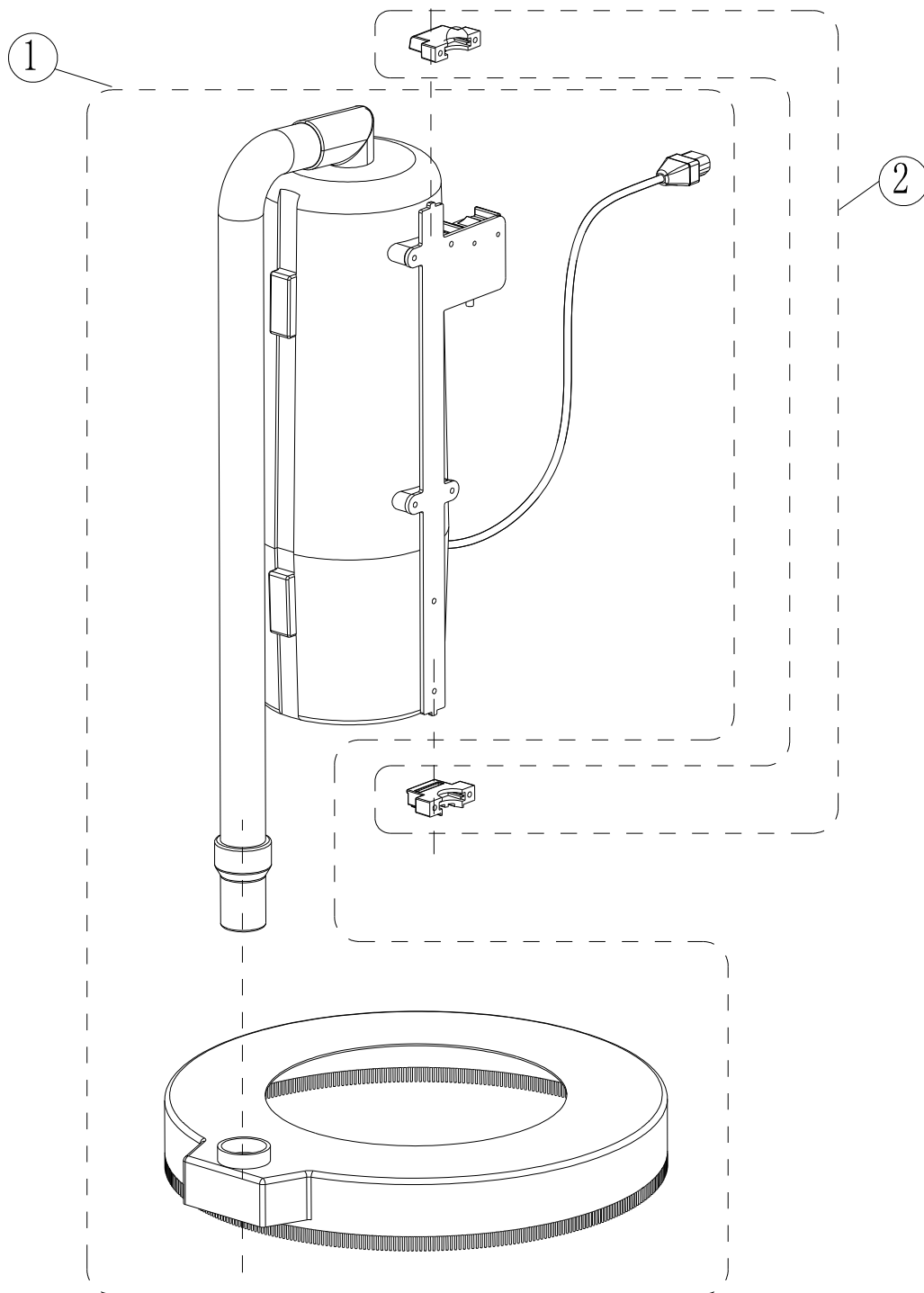
- [1] - LS160
- [2] - LS160HD
- [3] - OPTIONAL



Pos.	Artikel-Nr.	Menge	Variante	Notes
1	VF75436	1	Sicherheitsverschlussknopf - Kit	
2		1	SUPPORT BRACKET KIT, LS160	[1]
2	VF75437	1	Zusatzhalterung - Kit	[2]
3	VF75438	1	Griffgehäusekit LS160	[1]
3	VF75439	1	Griffgehäusekit LS160HD	[2]
4	VF75103	2	Start – Griffe (links & rechts)	
5	VF75105	1	Hebel zur Entriegelung Deichsel	
6	VF75106	1	Hebel für Entriegelung Tank	
7	VF75440	1	Schalterkit	
8	VF75135-13-EU	1	1300W EU-Aufkleber	[3]
8	VF75135-13-UK	1	1300W UK LABEL	[3]
8	VF75135-18-EU	1	1800W EU LABEL	[2]
8	VF75135-18-UK	1	1800W UK LABEL	[2]
9	VF75141	1	POWER LABEL 1800W UK	[4]
9	VF75142	1	Aufkleber Stromversorgung	
10	VF75126-EU	1	Anschlusskabel EU	
10	VF75126-UK	1	POWER CORD	
11	VF75122	1	Stecker - Kit	
12	VF75411	1	Abdeckung Buchse - Kit	
13	VF75412	1	Deichsel - Kit	
14	VF75138	1	POWER CORD	
15	VF75111	1	Bolzen für LS 160	
16	VF75112	1	Getriebekranz für LS160	
17	VF75413	1	Klammer Kit	
18	VF75315	1	WRENCH	
19	VF75417	1	HOOK KIT	
20	VF75414	1	Halterungskit für LS160	
21	VF75415	1	TANK KIT	
22	VF75416	1	CHAIN ASSEMBLY	
23	VF75306	2	Zugstange	
24	VF75322	1	EVA PLATE	
25	VF75117	1	TANK	
26	VF75310	1	SPRING	
27	VF75305	1	VALVE BODY	
28	50000055	1	Schaumgenerator	[5]
29	VF75418	1	BRACKET KIT FOR LS160	[5]
30	VF75419	1	BRACKET KIT FOR VE17	[5]
31	VF75116	2	HANDLE GRIP	

## Part Notes:

- [1] - LS160  
TSB 2016-001 LS160 Handle improvement
- [2] - LS160HD
- [3] - LS160
- [4] - LS160HD-UK
- [5] - Optional



# DUST COLLECTION

LS160

2017.11.02

2014.01.08

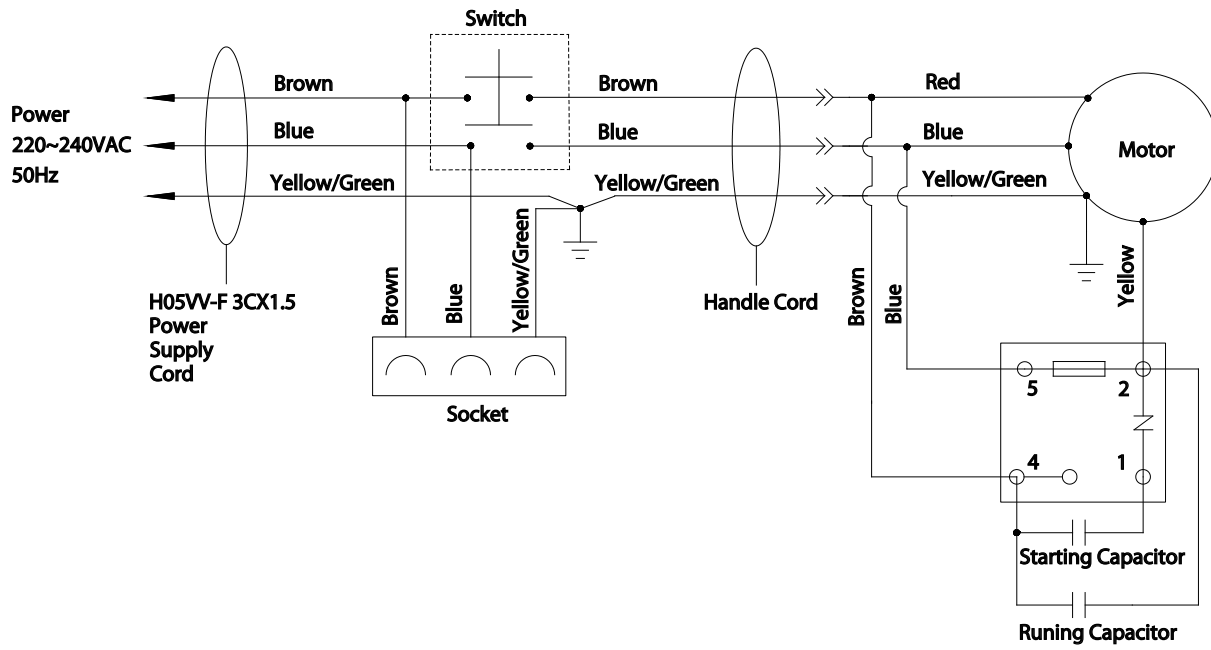
---

Pos.	Artikel-Nr.	Menge	Variante	Notes
1	56381571	1	Staubsaammelset	[1]
2	VF75418	1	BRACKET KIT FOR LS160	

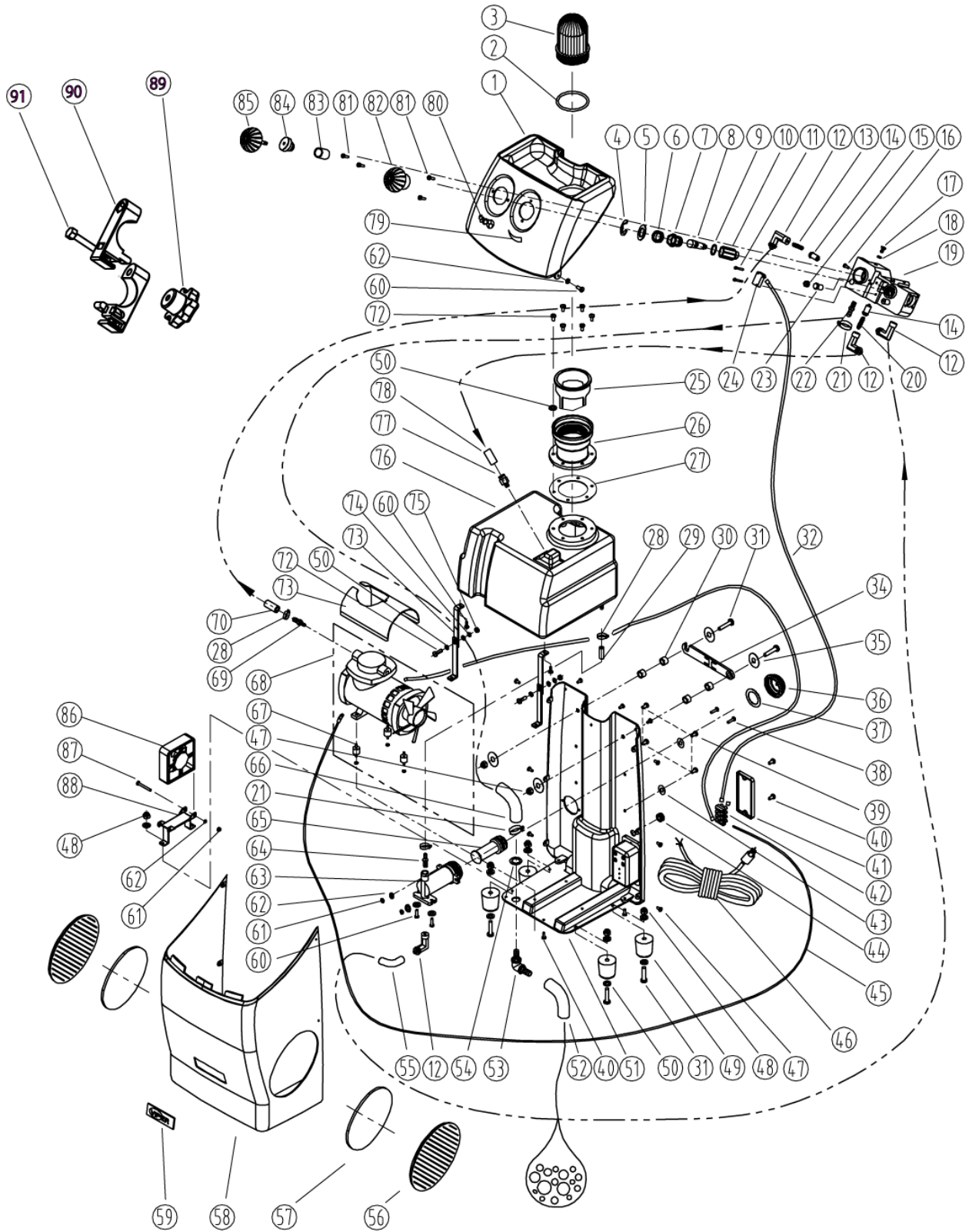
Part Notes:

[1] - BOM COMPONENT OBSOLETE





Pos.	Artikel-Nr.	Menge	Variante	Notes
1	VF75434	1	BRUSH KIT	
2	VF75214	2	WHEEL	
3	VF75206	1	CONNECTING PLATE	
4	VF75103	2	Start – Griffe (links & rechts)	
5	VF75105	1	Hebel zur Entriegelung Deichsel	
6	VF75106	1	Hebel für Entriegelung Tank	
7	VF75306	1	Zugstange	
8	VF75413	1	Klammer Kit	
9	VF75414	1	Halterungskit für LS160	



Pos.	Artikel-Nr.	Menge	Variante	Notes
00	50000055	1	Schaumgenerator	
01	VF46403	1	UPPER COVER	
02	VF14227	1	O-RING	
03	VF46404	1	KIT TANK KNOB INTAKE	
04	VF14120	1	RETAINING RING EXTERNAL DIAMETER 8	
05	VF46457	1	WASHER SST	
06	VF46422-3	1	Y RING DIAMETER 12	
07	VF46422-2	1	NUT ADJUSTING VALVE	
08	VF46422-4B	1	PIN ADJUSTING VALVE	[1]
09	VF46456	1	WASHER BRASS	
10	VF46455	1	BIG NUT	
11	VV13616	2	PH SCREW M3x16	
12	VF46466	4	90 DEG BLBOW	
13	VF46422-19	1	SPRING SHORT	
14	VF46422-11	2	VALVE	
15	VF46422-15	1	NUT M14	
16	VF46422-5	1	PIN	
17	VF46422-10	5	COVER	
18	VF46422-9	5	O RING DIAMETER 1 2/25 x DIAMETER 3 3/20	
19	VF46422-8A	1	VALVE BODY	
20	VF46422-18	1	SPRING LONG	
21	VV10114	2	Klammer	
22	VF46422-13	1	BARB HOSE	
23	VF46422-17	1	VALVE	
24	VF46422-6	1	MICRO SWITCH	
25	VF46454	1	Filter	
26	VF46426	1	INTAKE TANK	
27	VF46462	1	GASKET INTAKE TANK	
28	VF46400	3	CLAMP	
29	VF46467	1	HOSE	
30	VF47034	4	SPACER CLAMP PLATE	
31	VA13475	4	SCREW M5X25	
32	VF46450	1	CORD MICRO SWITCH	
34	VF47032	1	CLAMP PLATE SOLUTION TANK	
35	VV20276	2	WASHER PLAIN	
36	VF46419	1	COVER FILTER OUTLET TANK	
37	VF46420	1	WASHER COVER OUTLET	
38	VA13473	2	SCREW M4X PH	
39	VV20509	4	Schraube M5x10	
40	VA13477	2	ST4.2X16	
41	VF46410	1	COVER WIRING BOX	
42	VF46483	1	CONNECTOR	[1]
43	VF13474A	8	WASHER PLAIN f5xf16	
44	VF50120	1	GROMMET	
45	VF46453	1	GROUNDING WIRE	
46	VF45117	1	POWER CORD SJTW 3 x 16AWG 1 7/20M	
47	VF14300	6	SCREW M4 x 8 PH	
48	GT13022	6	NUT NYLON INSERT M5	
49	VV30125	4	RUBBER STAND	
50	VA13482	14	WASHER PLAIN DIA.5.0	
51	VF46402A	1	REAR COVER	
52	VF46445	1	HOSE FOAMING FRAME END	
53	VF46441	1	BLBOW HOSE FOAMING	
54	VF46442	1	NUT BLBOW HOSE	
55	VF46437	1	HOSE SL INLET VALVE	
56	VF46408	2	COVER FRESH AIR PUMP	
57	VF46407	2	FILTER FRESH AIR PUMP	
58	VF46401	1	FRONT COVER	
59	VF47035A	1	VIPER LOGO	

Pos.	Artikel-Nr.	Menge	Variante	Notes
60	VF13491	8	Schraube M4x12	
61	GT13014	4	NUT M4 NYLON INSERT	
62	VV13664	1	WASHER PLAIN DIA.4	
63	VF46418	1	FILTER HOLDER OUTLET TANK	
64	VF46465	2	BRASS FILTER	[1]
65	VF46435	1	FILTER OUTLET TANK	
66	VF46438	1	HOSE OUTLET VALVE	
67	VF46463	1	MOUNTING SCREW PUMP	
68	YQ11000	1	PUMP	
69	VF46405	1	BARB OUTLET COMPRESSED AIR PUMP	
70	VF46444	1	HOSE COMPRESSED AIR OUTLET PUMP	
71	VF46449	1	SHIELD PUMP	
72	VF14222	8	SCREW M5x12 PH	
73	VF46413	4	SURPORT RIB TANK	
74	VV13601	2	Sicherungsscheibe M5	
75	VV13633	2	NUT M5	
76	VF46425	1	TANK	
77	VF46475	1	BLBOW R1/4	
78	VF46439	1	HOSE COMPRESSED AIR INLET TANK	
79	VF46428	1	ICON ADJUSTING	
80	VF46427	1	ICON FOAMING	
81	VF14301	5	SCREW M4x12	
82	VF46415	1	KNOB ADJUSTING	
83	VF46406C	1	FOAMING GENERATOR	
84	VF46411-3	1	GASKET	
85	VF46411	1	KNOB ASSY FOAMING	
86	VF46468	1	FAN	
87	VF46469	1	BRACKET FAN	
88	VF14077	2	SCREW M4 x 35 PH	
89	VF46486	2	KNOB CLAMP	
90	VF73706	4	PLASTIC MOUNTING BRACKET	[1]
91	GT13019	2	HEX SCREW M6x45	

## Part Notes:

[1] - STOCK COVERS GUARANTEE

